



Make the best encoder in China

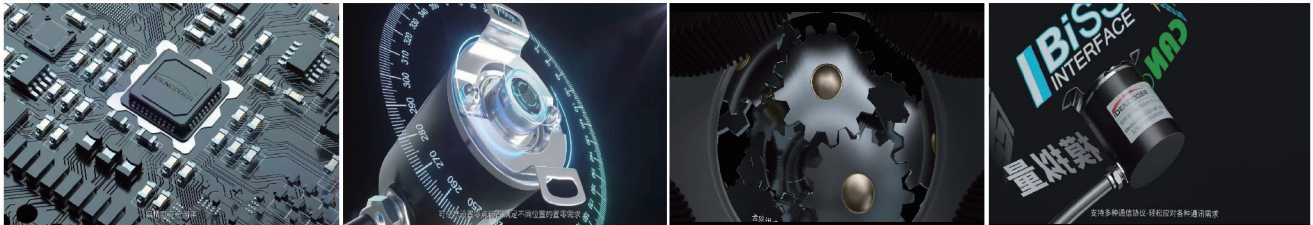


- Mobile crane
- Aerial work platform
- Construction machinery
- Concrete pump truck
- Fire fighting truck
- Rescue platform
- Agricultural/Forest vehicles
- Frame/lift/Transport vehicles





Company Profile



Weihai Idencoder Electronic Technology Co.,Ltd

is a trustworthy, professional encoder manufacturer, has provided a variety of encoder solutions to hundreds of companies at home and abroad.

Weihai Idencoder Electronic Technology Co.,Ltd (stock code: 100580), mainly dedicated to the R&D, production and sales of a variety of high-performance industrial rotary encoders, in 2016 in the "Qilu stock Exchange" successfully listed.

The company has passed ISO9001 quality management system certification, SGS certification, RoHS, CE, BV certification, and has been recognised as a national "high-tech enterprises", Shandong Province "gazelle, unicorn" enterprises, Shandong Province "speciality, speciality, speciality, speciality, speciality, speciality, speciality, speciality, speciality, speciality, speciality, speciality and speciality new enterprises. We are recognised as National "High-tech Enterprise", Shandong Province "Gazelle" and "Unicorn" Enterprise, Shandong Province "Speciality, Speciality, Speciality and New" Small and Medium-sized Enterprises, Shandong Province "Innovation Pioneer" Enterprise and Shandong Province "Famous Brand" Enterprise.

The company is equipped with industry-leading scientific research and testing equipment, and has been identified as Shandong Province "One Enterprise One Technology" R&D Centre, Weihai Industrial Rotary Encoder Engineering Technology Research Centre, Weihai Industrial Rotary Encoder Key R&D Laboratory and Weihai Industrial Design Centre.



IDENCODER ENCODER *MADE IN CHINA*

Make the best encoder in China

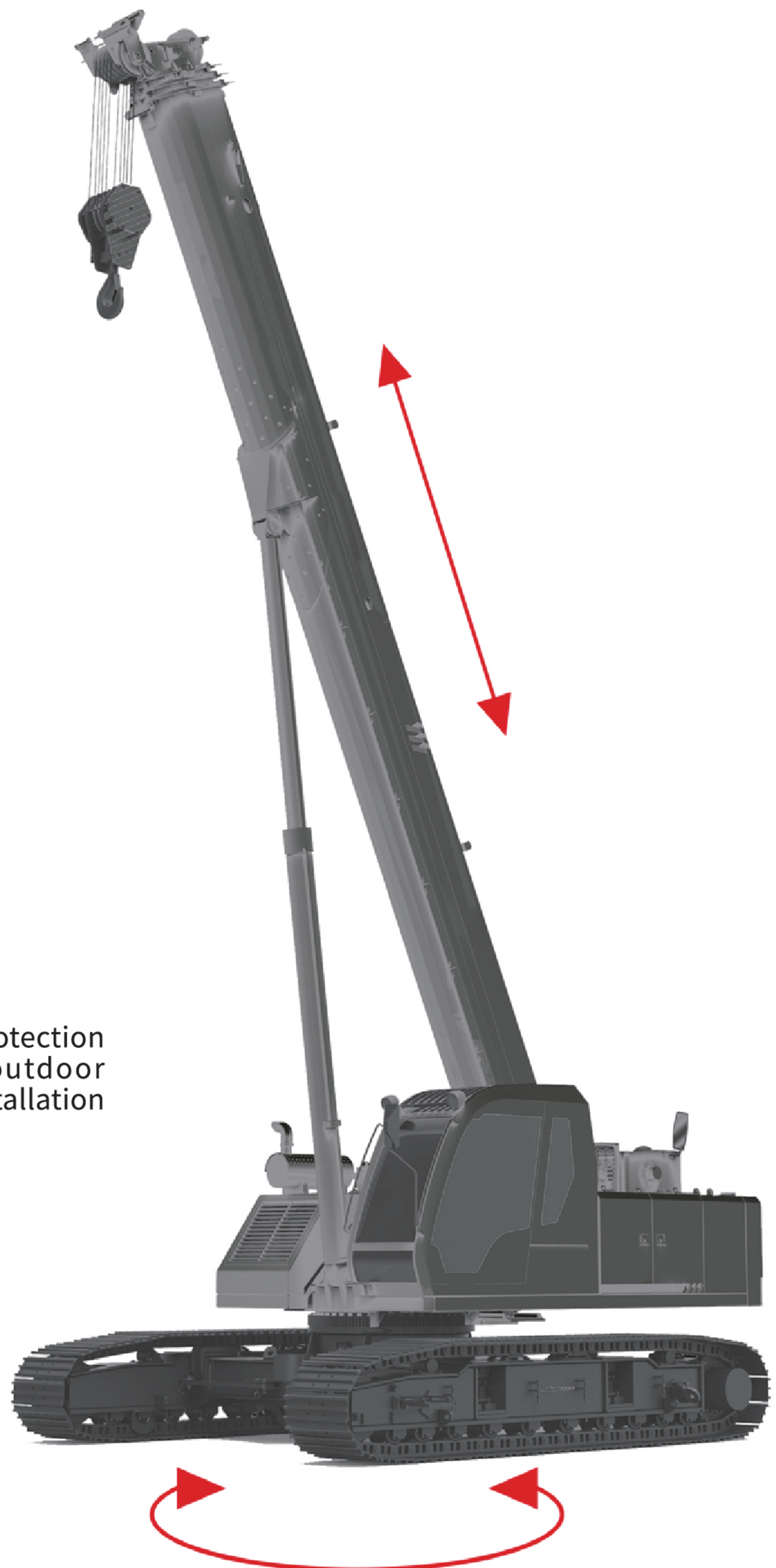
ADK-A58B10

mobile crane

A mobile crane is a crane installed on an ordinary car chassis or a special car chassis. The advantages of this kind of crane are good maneuverability and rapid transfer.

The disadvantage is that it requires outriggers when working, cannot travel under load, and is not suitable for working on soft or muddy sites.

IDENCODER rotary encoders and cable displacement sensors can accurately measure rotation, hoisting, outrigger and other movements to ensure safe and reliable operation of the crane.



CANopen BUS control

Adapt to the environment:

IP67 protection, suitable for lightning strike/surge protection in humid and dusty environments, suitable for outdoor environments Ultra-thin design, suitable for small installation spaces

Product advantages:

High reliability, multi-turn gear technology, no batteries required
Barrier-free communication, multiple communication protocols and configurations with strong optional functions, LSS functions, etc. can be customized

ADK-F38B10

Fire truck/rescue platform

Elevated fire trucks are fire trucks equipped with elevating and fire-extinguishing devices that can perform fire-extinguishing or fire rescue at high altitudes. They include: elevated platform fire trucks, elevated jet fire trucks, and ladder fire trucks.

IDENCODER rotary encoders and cable displacement sensors can accurately measure rotation, lifting, outrigger and other movements to ensure safe and reliable operation of fire trucks.

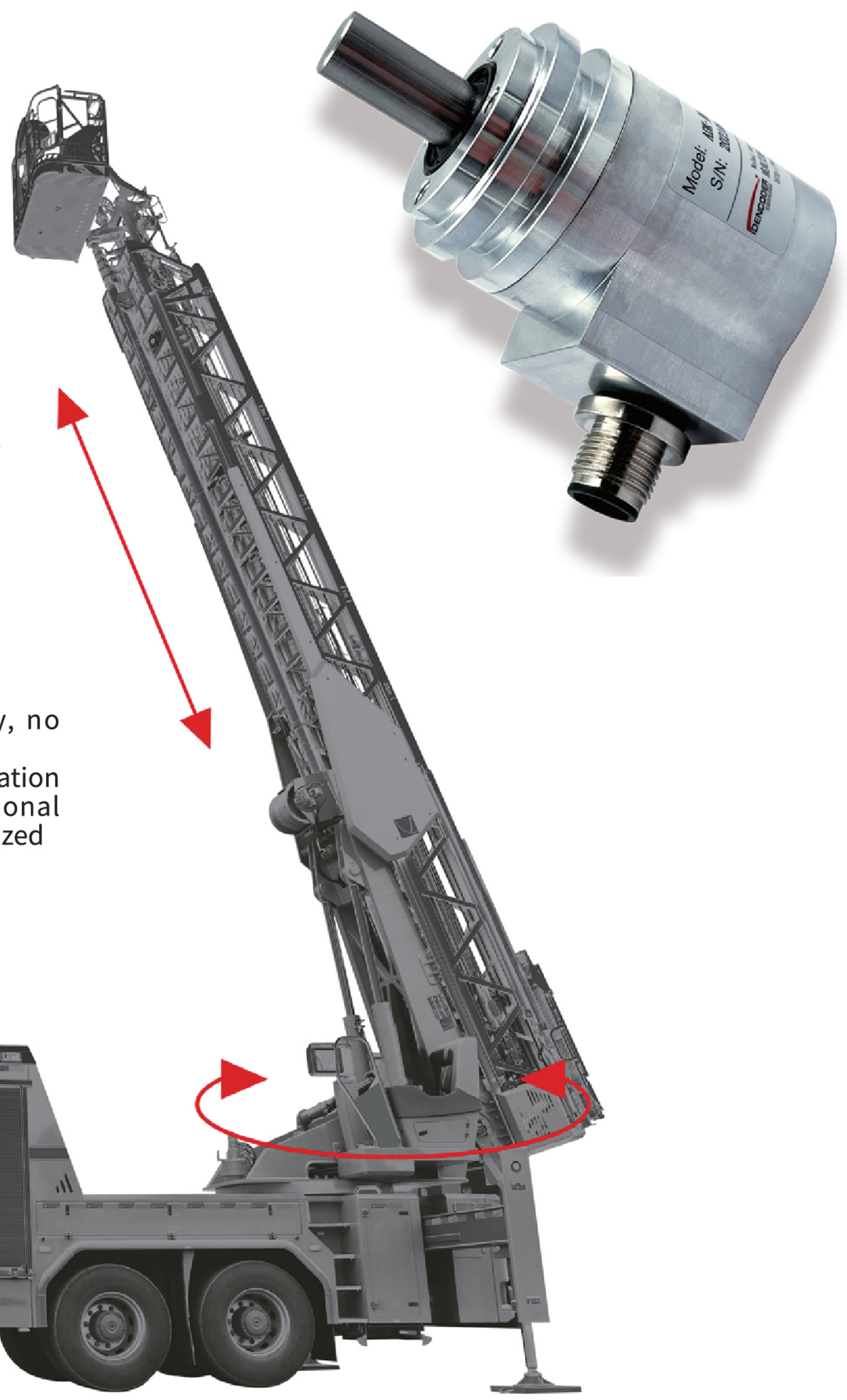
CANopen BUS control

Adapt to the environment:

IP67 protection, suitable for wet and dusty environments
Lightning strike/surge protection, suitable for outdoor environments
Designed with an outer diameter of 038mm, suitable for small installation spaces

Product advantages:

High reliability, multi-turn gear technology, no batteries required
Barrier-free communication, multiple communication protocols and configurations with strong optional functions, speed/acceleration, etc. can be customized



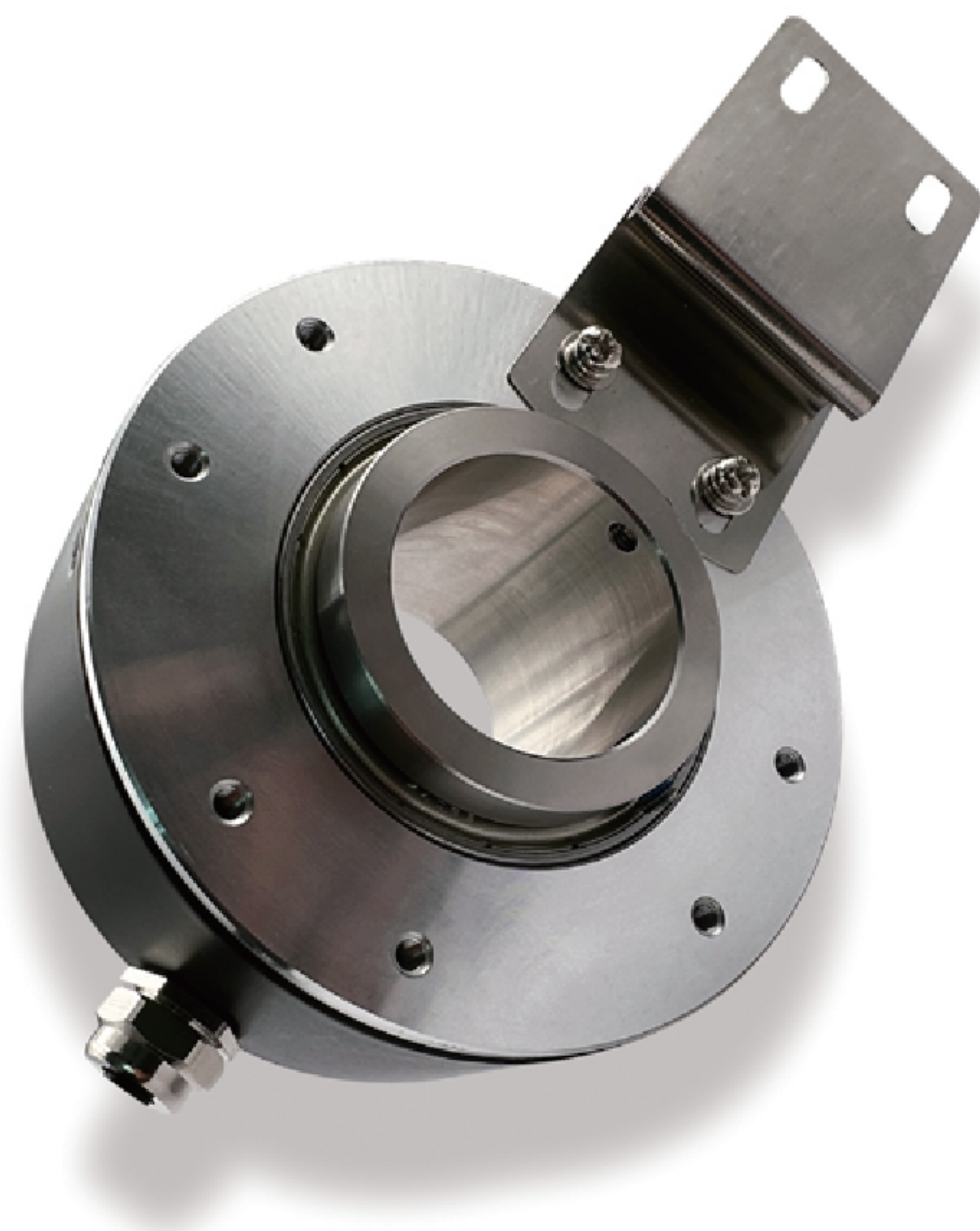
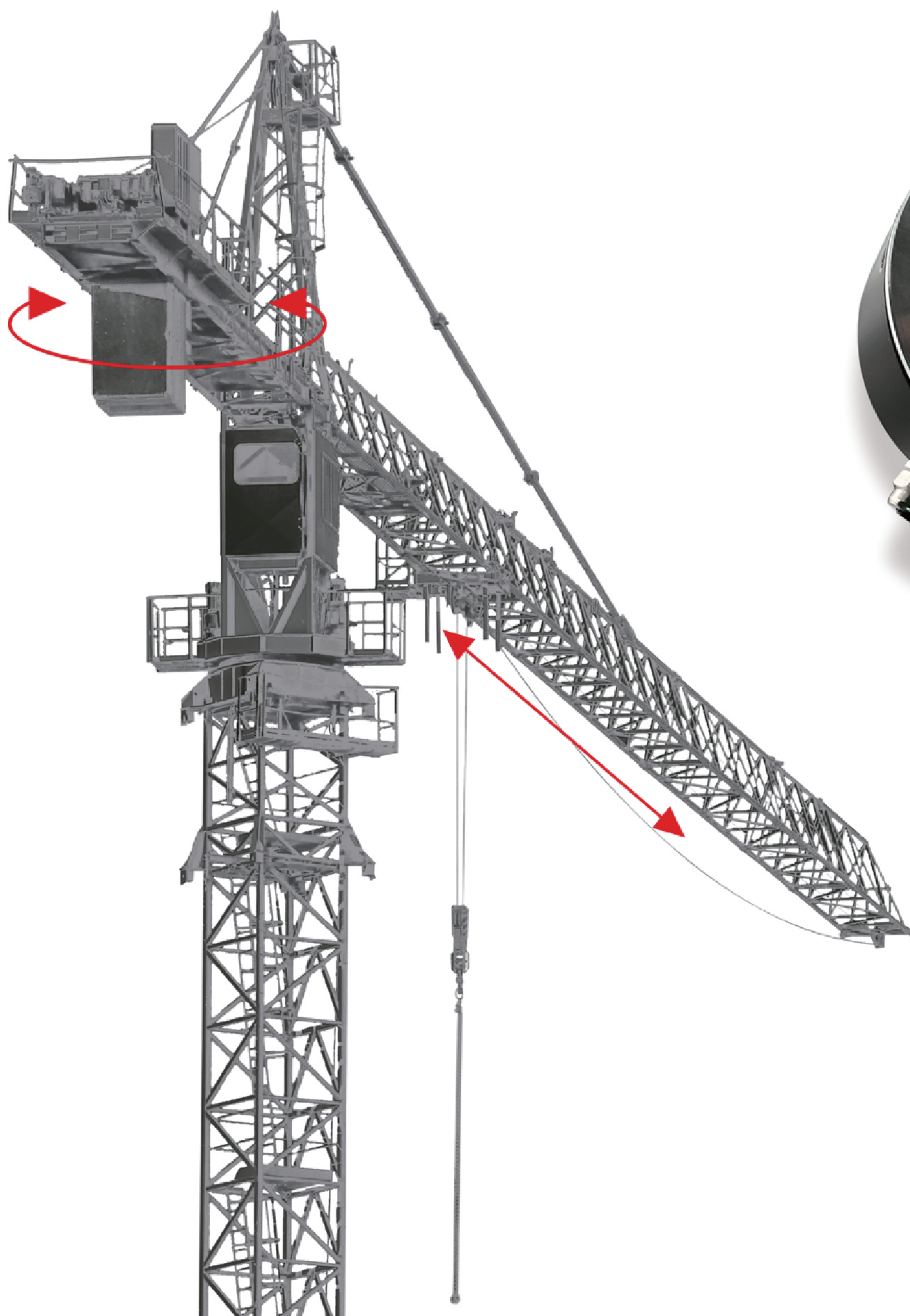
ADK-KP100/K58

Construction machinery/concrete pump truck

Construction machinery generally refers to a tower crane, a rotating crane with a boom mounted on the upper part of a tall tower.

It has a large working space and is mainly used for vertical and horizontal transportation of materials and installation of building components in house construction. The working mechanism has four parts: lifting, luffing, turning and walking.

IDENCODER rotary encoders are installed in lifting, luffing, slewing and other parts to accurately measure tower crane movements. They play a very critical role in the collection of smart tower crane information and the anti-collision system of tower crane groups.



Hollow shaft incremental encoder

Adapt to the environment:

IP67 protection, suitable for lightning/surge protection in humid and dusty environments, suitable for outdoor environments
-40° C~+85° C, suitable for ultra-low temperature environments

Product advantages:

high-precision positioning
Highly reliable, anti-salt spray, stainless steel material, available in a wide range of options, with apertures ranging from 0 to 12 to 045.

ADK-F58L10/K58L12

Frame/lift/transport vehicles

Frame/lift/transport vehicles, which transport the reinforced concrete beam bridge panels prefabricated in the prefabrication plant or the bridge site to the special vehicles at the high-speed rail construction site. In particular, the beam truck has a maximum of 128 wheels and carries more than 1,000 tons of prefabricated beams, and its reliability and cooperation must be effectively controlled. IDENCODER rotary encoder can accurately measure the rotation Angle of each tire, vehicle lift, etc., to ensure that each wheel moves at the same time and each sensor on the bus does not interfere with each other to ensure the safe and reliable operation of the vehicle. Frame/lift/transport vehicles, which transport the reinforced concrete beam bridge panels prefabricated in the prefabrication plant or the bridge site to the special vehicles at the high-speed rail construction site. In particular, the beam truck has a maximum of 128 wheels and carries more than 1,000 tons of prefabricated beams, and its reliability and cooperation must be effectively controlled. IDENCODER rotary encoder can accurately measure the rotation Angle of each tire, vehicle lift, etc., to ensure that each wheel moves at the same time and each sensor on the bus does not interfere with each other to ensure the safe and reliable operation of the vehicle.



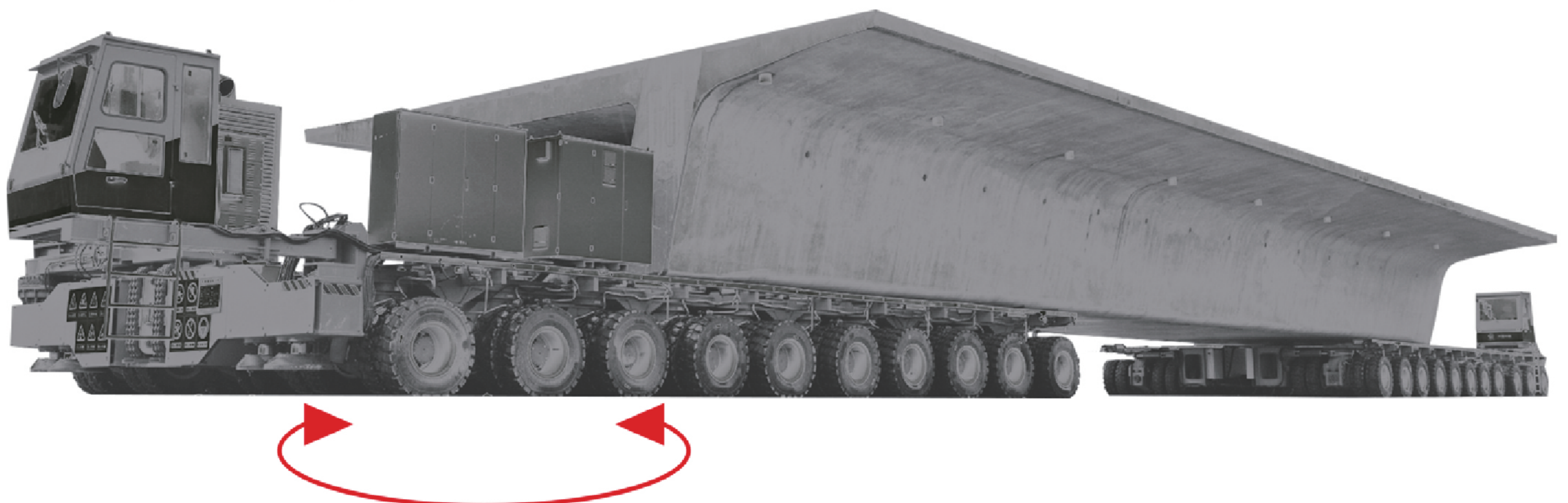
CANopen BUS control

Adapt to the environment:

IP67 protection, suitable for wet and dusty environments
Lightning strike/surge protection, suitable for outdoor environments

Product advantages:

High reliability, multi-turn gear technology, no batteries required
Barrier-free communication, multiple communication protocols and configurations available
Strong anti-interference, can be connected in series on the bus, multiple encoders do not interfere with each other



ADK-F30P6

Agricultural/forest vehicles

Agricultural modernization is inseparable from the intelligentization of agricultural machinery. This year's Central Government Document No. 1 proposed "accelerating the research and development and promotion of advanced agricultural machinery" and "supporting the integrated application of Beidou intelligent monitoring terminals and assisted driving systems." Smart agricultural machinery requires various types of sensors to implement.

IDENCODER rotary encoders can accurately measure angles, equipment speeds and feed lengths, safeguarding agricultural machinery data collection in harsh agricultural and forestry environments.

Compact incremental encoder

Adapt to the environment:

IP67 protection, suitable for lightning strike/surge protection in humid and dusty environments, suitable for outdoor environments $-40^{\circ}\text{C} \sim +85^{\circ}\text{C}$, suitable for ultra-low temperature environments

Product advantages

High reliability, impact and vibration resistance, high-precision positioning



ADK-K58L10

hydraulic aerial cage

Aerial work vehicles refer to special vehicles that transport workers and equipment to the site and perform aerial operations.

Due to its maneuverability and flexibility, it has been widely used in recent years. The product demand involves street lights, gardens, electric power, petrochemicals, communications and other industries.

IDENCODER rotary encoder can accurately measure the rotation movement of the robotic arm, ensuring safe and reliable operation of personnel in the hanging basket, and can realize the robotic arm

The one-click return action greatly facilitates on-site operation.

CANopen BUS/Analog output

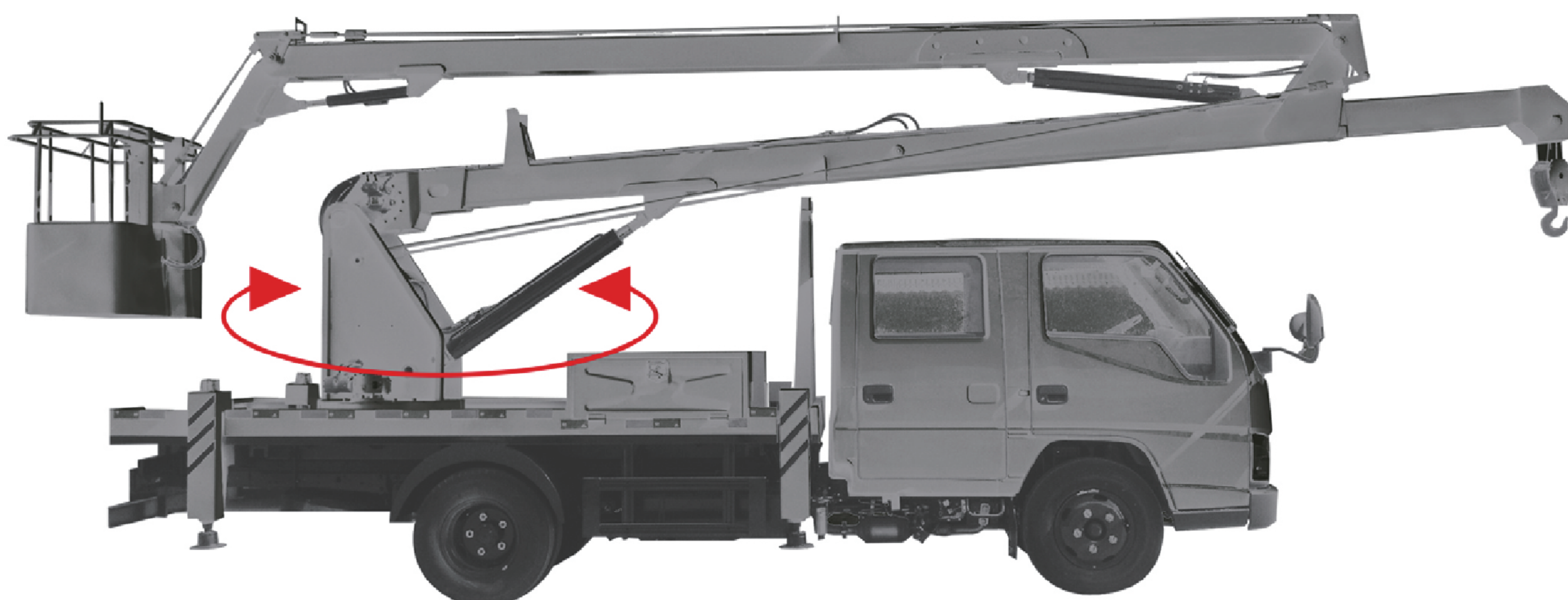
Adapt to the environment:

IP67 protection, suitable for wet and dusty environments

Lightning strike/surge protection, suitable for outdoor environments

Product advantages:

Barrier-free communication, multiple communication protocols and configuration options, strong optional functions, and one-click home function of the device



Absolute encoder multi-turn/single turn



	ADK-F38B10	ADK-A58B10	ADK-K58L10	ADK-F58B10
Main feature	<p>Absolute value encoder, 38mm outer diameter. Suitable for installation in a small space.</p> <p>Multi-gear technology, no battery.</p> <p>A variety of communication protocols and configuration options. Speed/acceleration, etc.</p>	<p>Absolute value encoder. Ultra-thin design, 33mm in installation. Multi-circle gear technology, no battery. A variety of communication protocols and configurations are available. LSS functions can be customized.</p>	<p>Absolute encoder. blind hole design, easy to install.</p> <p>Multi-circle gear technology, no battery.</p>	<p>Industrial Ethernet encoder.</p> <p>High transmission speed: 9.6K-12Mbps.</p> <p>Ultra-long transmission distance, up to 1000m; repeater available to extend to 10KM; up to 127 sites can be connected.</p>
Interface	<p>Modbus</p> <p>SSI</p> <p>Analog</p> <p>CANopen</p>	<p>Modbus</p> <p>SSI</p> <p>Analog</p> <p>CANopen</p>	<p>Modbus</p> <p>SSI</p> <p>Analog</p> <p>CANopen</p>	<p>Profibus-DP</p> <p>Profinet</p> <p>EtherCAT</p> <p>Modbus-TCP</p>
External diameter	38	50,58	58	58
Shaft diameter	6,8,10	8,10	Hole shaft 10,12,15	10
Max resolution	<p>13bit single turn (max 16bit)</p> <p>12bit multi-turn</p>	<p>13bit single turn (max 16bit)</p> <p>12bit multi-turn</p>	<p>13bit single turn (max 16bit)</p> <p>12bit multi-turn</p>	<p>13bit single turn (max 16bit)</p> <p>12bit multi-turn</p>
Protection level	IP65/IP67	IP65/IP67	IP65/IP67	IP65/IP67
Work temperature	-40~85°C	-40~85°C	-40~85°C	-40~85°C
Connector	<p>Cable</p> <p>M12 connector</p>	<p>Cable</p> <p>M12 connector</p>	<p>Cable</p> <p>M12 connector</p>	<p>Cable</p> <p>M12 connector</p>
Certificates	ISO9001/ROHS/CE	ISO9001/ROHS/CE	ISO9001/ROHS/CE	ISO9001/ROHS/CE

Incremental encoder



	ADK-F30P6	ADK-A38L6	ADK-KP58L12	ADK-KP100L45
Main feature	Compact incremental encoder with an outer diameter of 30mm, suitable for installation in small spaces, resistant to shock and vibration, high reliability and long life.	Economical incremental encoder with small size and compact structure. High reliability and long life.	Large hollow incremental encoder, blind hole design, easy to install, strong anti-interference ability. It adopts keyway-less locking ring fixation method and has long service life.	Large hollow incremental encoder. Blind hole design for easy installation. It has strong anti-interference ability, adopts keyway-less locking ring fixation method and has long service life.
Interface	NPN/PNP open collector output Push-pull output Differential output	NPN/PNP open collector output Push-pull output Differential output	NPN/PNP open collector output Push-pull output Differential output	NPN/PNP open collector output Push-pull output Differential output
External diameter	30	38,50,58	58	100
Shaft diameter	6	6,8,10	Hollow shaft 10,12,15	Hollow shaft 30,45
Max resolution	5000ppr	5000ppr	5000ppr	5000ppr
Protection level	IP54/IP65/IP67	IP54/IP65/IP67	IP54/IP65/IP67	IP54/IP65/IP67
Work temperature	-40~85°C	-40~85°C	-40~85°C	-40~85°C
Connector	Cable connector	Cable Connector	Cable Connector	Cable Connector
Certificates	ISO9001/ROHS/CE	ISO9001/ROHS/CE	ISO9001/ROHS/CE	ISO9001/ROHS/CE

Draw wire displacement sensor



Size	ADK50	ADK60	ADK80
	shape:49*49mm thickness:40mm	shape:63*63mm thickness:40mm	shape:86*86mm thickness:25mm
Measuring stroke	0-1000mm	0-2000mm	0-3000mm
Output signal	Incremental:NPN/PNP open collector,push-pull,differential,voltage Absolute:parallel,CANopen,Modbus,Profibus,Profinet,EtherCAT,SSI,4-20mA		
Work voltage	5V,5-24V,8-29v		
Work type	Connect type		
Linear accuracy	±0.05%		
Hub circumference	100mm	150mm	230mm
Insulation resistor	≥1000 Ω		
Wire rope	0.6mm Plastic coated wire rope	0.6mm Plastic coated wire rope	0.8mm Plastic coated wire rope
Pull	2.5N	3.0N	4.0N
Wire pulling speed	800mm/s(max)	1000mm/s(max)	1000mm/s(max)
Working time	≥6000h		
Material	Metal	Metal	Metal
Surface treatment	anodizing	anodizing	anodizing
Length of cable	1m	2m	2m
Protection level	Ip54	IP54/IP67	IP54/IP67
Work temperature	-40~85℃		

Draw wire displacement sensor



Size	ADK130	ADK210	ADK130W
	shape:130*130mm thickness:173mm	shape:214*214mm Thickness174mm	shape:130*148mm thickness:159mm
Measuring stroke	0-5000mm	0-13000mm	0-55000mm
Output signal	Incremental:NPN/PNP open collector,push-pull,differential,voltage Absolute:parallel,CANopen,Modbus,Profibus,Profinet,EtherCAT,SSI,4-20mA		
Work voltage	5V,5-24V,8-29v		
Work type	Connect type		
Linear accuracy	$\pm 0.05\%$		
Hub circumference	334mm	400mm	400mm
Insulation resistor	$\geq 1000 \Omega$		
Wire rope	0.8mm Plastic coated wire rope	1mm Plastic coated wire rope	2mm Plastic coated wire rope
Pull	6N	6N	20N
Wire pulling speed	1000mm/s(max)	1000mm/s(max)	4000mm/s(max)
Working time	$\geq 6000\text{h}$		
Material	Metal	Metal	Metal
Surface treatment	anodizing	anodizing	anodizing
Length of cable	2m	2m	2m
Protection level	IP54/IP67	IP54/IP67	IP54/IP67
Work temperature	-40~85℃		



Attention

1. Before starting the machine, you should carefully check whether the product manual matches the encoder model and whether the wiring is correct.
 2. An elastic soft connection is used between the encoder shaft and the user-end output shaft to avoid damage to the encoder shaft system due to the string movement and beating of the user shaft.
 3. When installing, please observe the permissible shaft loads.
 4. It should be ensured that the misalignment between the encoder shaft and the user's output shaft is $<0.10\text{mm}$, and the deviation angle from the axis is $<1.5^\circ$.
 5. Avoid knocking, dropping and collision during installation.
 6. Do not connect the power cord and ground wire reversely, and live wiring is strictly prohibited.
 7. The grounding wire should be as thick as possible, generally larger than medium 3.
 8. Do not overlap the encoder output lines with each other to avoid damaging the output circuit.
 9. Do not connect the encoder signal line to a DC power supply or AC current to avoid damaging the output circuit.
 10. Motors and other equipment connected to the encoder should be well grounded.
 11. Shielded cables should be used for wiring.
 12. Avoid use in strong electromagnetic environments.
 13. It is strictly prohibited to turn off the power when setting parameters.
-

Warranty information



As long as the user abides by the rules for storage and use of components, within 12 months from the date of shipment, if the product cannot work properly due to quality problems, the company will repair or replace it free of charge for the user. Specifications stated in product catalogs, manuals, or technical documents are subject to change without prior notice. All technical parameters are based on the ordering contract

Access IDENCODER

400-0631-226
ideacods.com/contact





Make the best encoder in China



www.adk-auto.com

Company: Weihai Idencoder Electronic Technology Co.,Ltd.

A d d : Building No.1, North District, Zhongke Innovation Industrial Park, Economic Zone,
Weihai City,Shandong province, China.

T e l : 0086-631-5965950

F a x : 0086-631-5995628

M . P : 0086-15688681788 / 15662331682 / 13863032425

E-mail: sales07@idencoder.cn / sales04@idencoder.cn

Website: www.idencoders.com / www.adk-auto.com

WEIHAI IDENCODER ELECTRONIC TECHNOLOGY CO.,LTD